



Aufstellung und Installation
Setup and installation

VIDEO

<http://fg.am/fat300install>

Download your local language



CZ DA DE EN ES FI FR
HU IT NL PL RO RU SV



<http://fg.am/ba-fat300>

FELDER®


User manual Translation

Height adjustable FELDER working table

FAT 300 / FAT 300S / FAT 500S



Keep this manual handy and in good condition for continual reference!

A-6060 HALL in Tirol, KR-Felder-Straße 1, Austria, Tel. +43 (0) 5223 58500, Fax +43 (0) 5223 56130, info@felder.at			FELDER www.felder.at	
TYPE : FAT 300 / FAT 300S / FAT 500S				
NR.: XXX-XXX/XX-XX				
V: ---	PH: ---	HZ: ---	A: ---	
KW: --- S1				
Baujahr / year of construction / ANNEE DE CONSTR.: 2017				
ARBEITSTISCH / working table	FAT 300	FAT300S	FAT 500S	
EIGENGEWICHT / net weight	75 KG	125 KG	170 KG	
TRAGLAST / load capacity	MAX: 300 KG	300 KG	500 KG	
Made in Austria				

! Attention! Risk of material damage! The machine must be inspected immediately upon arrival. If the machine has been damaged during transport, or if any parts are missing, a written record of the problems must be submitted to the forwarding agent and a damage report compiled. Also be sure to notify your supplier immediately.

! For the safety of all personnel, it is necessary to study this manual thoroughly before assembly and operation. This manual must be kept in good condition and should be considered as part of the machine. Furthermore, the manual must be kept to hand and within the vicinity of the machine so that it is accessible to operators when using, maintaining or repairing the machine.

FELDER | A product of the FELDER GROUP!

© Felder KG
KR-FELDER-STR.1
A-6060 Hall in Tirol

Tel.: +43 (0) 5223 / 58 50 0
Fax: +43 (0) 5223 / 56 13 0

Email: info@felder-group.com
Internet: www.felder-group.com

Content

Content

1 General	4
1.1 Symbol legend.....	4
1.2 Information about the manual	4
1.3 Copyright.....	4
1.4 Liability and warranty	5
1.5 Warranty notice.....	5
1.6 Spare parts	5
1.7 Disposal.....	5
2 Safety	6
2.1 Intended use.....	6
2.2 Manual contents	6
2.3 Making changes and modifications to the machine.....	6
2.4 Responsibilities of the operator.....	7
2.5 Personnel requirements.....	7
2.6 Work safety	7
2.7 Personal protective equipment.....	8
2.8 Machine hazards	8
3 Technical specifications	9
3.1 Dimensions and weight.....	9
4 Transport, packaging and storage	10
4.1 Safety instructions	10
4.2 Transport inspection.....	10
4.3 Packaging	10
4.4 Storage.....	11
4.5 Transport.....	11
5 Setup and installation	12
5.1 Safety instructions	12
5.2 Floor space requirement.....	12
6 Operation	13
6.1 Authorised and prohibited work techniques	13
6.2 Adjust the working height.....	13
6.3 Panel tilting device for FELDER working tables	14
7 Service / Cleaning the machine	14
8 Annex - Declaration of Conformity	15

General

1 General

1.1 Symbol legend

Important technical safety instructions in this manual are marked with symbols. These instructions for work safety must be followed.

In all these particular cases, special attention must be paid in order to avoid accidents, injury to persons or material damage.



Warning! Risk of injury or death!

This symbol marks instructions that must be followed in order to avoid harm to one's health, injuries, permanent impairment or death!



Attention! Risk of material damage!

This symbol marks instructions which, if not observed, may lead to material damage, functional failures and/or machine breakdown!



Note:

This symbol marks tips and information which should be observed to ensure efficient and failure-free operation of the machine.

1.2 Information about the manual

This manual describes how to operate the machine properly and safely. Be sure to follow the safety tips and instructions stated here as well as any local accident prevention regulations and general safety regulations. Before beginning any work on the machine, ensure that the manual, in particular the chapter entitled "Safety" and the respective safety guidelines, has been read in its entirety and fully understood. This manual is an integral part of the machine and must therefore be kept in the

direct vicinity of the machine and be accessible at all times. If the machine is sold, rented, lent or otherwise transferred to another party, the manual must accompany the machine.

1.3 Copyright

This manual should be handled confidentially. It is designated solely for those persons who work on or with the machine. All descriptions, texts, drawings, photos and other depictions are protected by copyright and other commercial laws. Illegal use of the materials is punishable by law.

This manual, in its entirety or parts thereof, may not be transferred to third parties or copied in any way or form, and its contents may not be used or otherwise communicated without the express written consent of the manufacturer. Infringement of these rights may lead to a demand for compensation or other applicable claims. We reserve all rights in exercising commercial protection laws.

General

1.4 Liability and warranty

The contents and instructions in this manual have been compiled in consideration of current regulations and state-of-the-art technology as well as based on our know-how and experience acquired over many years. This manual must be read carefully before commencing any work on or with this machine. The manufacturer shall not be liable for damage and/or faults resulting from the disregard of instructions in the manual. The text and images do not necessarily represent the delivery contents. The images and graphics are not depicted on a 1:1

scale. The actual delivery contents are dependent on custom-build specifications, add-on options or recent technical modifications and may therefore deviate from the descriptions, instructions and images contained in the manual. Should any questions arise, please contact the manufacturer. We reserve the right to make technical modifications to the product in order to further improve user-friendliness and develop its functionality.

1.5 Warranty notice

The guarantee period is in accordance with national guidelines. Details may be found on our website, www.felder-group.com

1.6 Spare parts



Attention! Risk of material damage!

Non genuine, counterfeit or faulty spare parts may result in damage, cause malfunction or complete breakdown of the machine.

If unauthorised spare parts are fitted into the machine, all warranty, service, compensation and liability claims against the manufacturer and their contractors, dealers and representatives shall be rejected.

Use only genuine spare parts supplied by the manufacturer.



Note: The original spare parts that have been authorised for use are listed in a separate spare parts catalogue, enclosed in the documentation package supplied with the machine.

1.7 Disposal



Attention! Used electrical materials, electronic components, lubricants and other auxiliary substances must be treated as hazardous waste and may only be disposed of by specialised, licensed firms.

If the machine is to be disposed of, separate the components into the various materials groups in order to allow them to be reused or selectively disposed of. The whole structure is made of steel and can therefore be dismantled without problem.

This material is also easy to dispose of and does not pollute the environment or jeopardise public health. Interna-

tional environmental regulations and local disposal laws must always be complied with.

Safety

2 Safety

At the time of its development and production, the machine was built in accordance with prevailing technological regulations and therefore conforms to industry safety standards.

However, hazards may arise should the machine be operated by untrained personnel, used improperly or employed for purposes other than those it was designed for. The chapter entitled "Safety" offers an overview of all the important safety considerations necessary to optimise safety and ensure the safe and trouble-free operation of

the machine.

To further minimise risks, the other chapters of this manual contain specific safety instructions, all marked with symbols. Besides the various instructions, there are a number of pictograms, signs and labels affixed to the machine that must also be heeded. These must be kept visible and must not be removed.

2.1 Intended use

The machine described in this manual is intended solely for:

Machinery equipment vehicle, storage assistance, stacking cart or additional workspace

Operational safety is guaranteed only when the machine is used for the intended purposes.

The term "proper use" also refers to correctly observing the operating conditions as well as the specifications and instructions in this manual.

The machine may only be operated with parts and original accessories from the manufacturer.



Attention! Any use outside of the machine's intended purpose shall be considered improper and is therefore not permitted. All claims regarding damage resulting from improper use that are made against the manufacturer and its authorised representatives shall be rejected. The operator shall be solely liable for any damage that results from improper use of the machine.

2.2 Manual contents

All those appointed to work on or with the machine must have fully read and understood the manual before commencing any work. This requirement must be met even if the appointed person is familiar with the operation of such a machine or a similar one, or has been trained by the manufacturer.

Knowledge about the contents of this manual is a pre-

quisite for protecting personnel from hazards and avoiding mistakes so that the machine may be operated in a safe and trouble-free manner. It is recommended that the operator requests proof from the personnel that the contents of the manual have been read and understood.

2.3 Making changes and modifications to the machine

In order to minimise risks and to ensure optimal performance, it is strictly prohibited to alter, retrofit or modify the machine in any way without the express consent of the manufacturer.

All the pictograms, signs and labels affixed to the

machine must be kept visible, readable and may not be removed. Pictograms, signs and labels that have become damaged or unreadable must be replaced promptly.

Safety

2.4 Responsibilities of the operator

This manual must be kept in the immediate vicinity of the machine and be accessible at all times to all persons working on or with the machine. The machine may only be operated if it is in proper working order and in safe condition. The general condition of the machine must be controlled and the machine must be inspected for visible defects every time before it is switched on. All instructions in this manual must be strictly followed without reservation.

Besides the safety advice and instructions stated in this manual, it is necessary to consider and observe local

accident prevention regulations, general safety regulations as well as current environmental stipulations that apply to the operational range of the machine. The operator and designated personnel are responsible for the trouble-free operation of the machine as well as for clearly establishing who is in charge of installing, servicing, maintaining and cleaning the machine. Machines, tools and accessories must be kept out of the reach of children.

2.5 Personnel requirements

Only authorised and trained personnel may work on and with the machine. Personnel must be briefed about all functions and potential dangers of the machine. "Specialist staff" is a term that refers to those who – due to their professional training, know-how, experience, and knowledge of relevant regulations – are in a position to assess delegated tasks and recognise potential risks. If the personnel lack the necessary knowledge for working on or with the machine, they must first be trained. Responsibility for working with the machine (installation, service, maintenance, overhaul) must be clearly defined and strictly observed. Only those persons who can be expected to carry out their work reliably may be given permission to work on or with the machine. Personnel must refrain from working in ways that could harm others, the environment or the machine itself. It is absolu-

tely forbidden for anyone who is under the influence of drugs, alcohol or reaction-impairing medication to work on or with the machine. When appointing personnel to work on the machine, it is necessary to observe all local regulations regarding age and professional status. The user is also responsible for ensuring that unauthorised persons remain at a safe distance from the machine. Personnel are obliged to immediately report any irregularities with the machine that might compromise safety to the operator.

2.6 Work safety

Following the safety advice and instructions given in this manual can prevent bodily injury and material damage while working on and with the machine. Failure to observe these instructions can lead to bodily injury and damage to or destruction of the machine. Disregard of the safety advice and instructions given in this manual as well as the accident prevention regulations and gene-

ral safety regulations applicable to the operative range of the machine shall release the manufacturer and their authorised representatives from any liability and from all compensation claims.

Safety

2.7 Personal protective equipment

When working on or with the machine, the following must be strictly observed:



Persons with long hair who are not wearing a hairnet are not permitted to work on or with the machine!

When working on or with the machine, the following must always be worn by personnel:



Protective clothes

Sturdy, tight-fitting clothing (tear-resistant, no wide sleeves, no jewellery (rings, bracelets, necklaces, etc.)).



Protective footwear

To protect the feet from heavy falling objects and prevent sliding on slippery floors

2.8 Machine hazards

The machine has undergone a hazard analysis. The design and construction of the machine are based on the results of this analysis and correspond to state-of-the-art technology.

The machine is considered operationally safe when used properly. Nevertheless, there are some remaining risks that must be considered.



Warning! Other risks / Risk of injury!

- Risk of injury through being crushed, caught.
- Risk of injury due to insufficient preparation!
- Do not work if the floors are still wet or are slippery.
- It is strictly forbidden to climb onto the machine - danger of falling.
- Consider the machine's centre of gravity when transporting it (minimise the risk of it tipping over).

Technical specifications

3 Technical specifications

3.1 Dimensions and weight

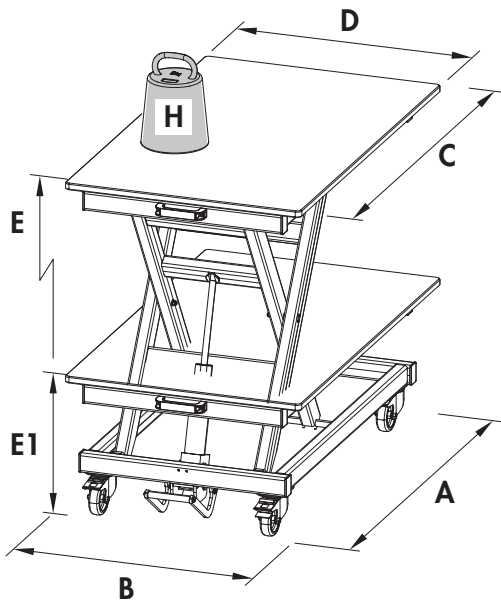


Fig. 3-1: Dimensions FAT 300

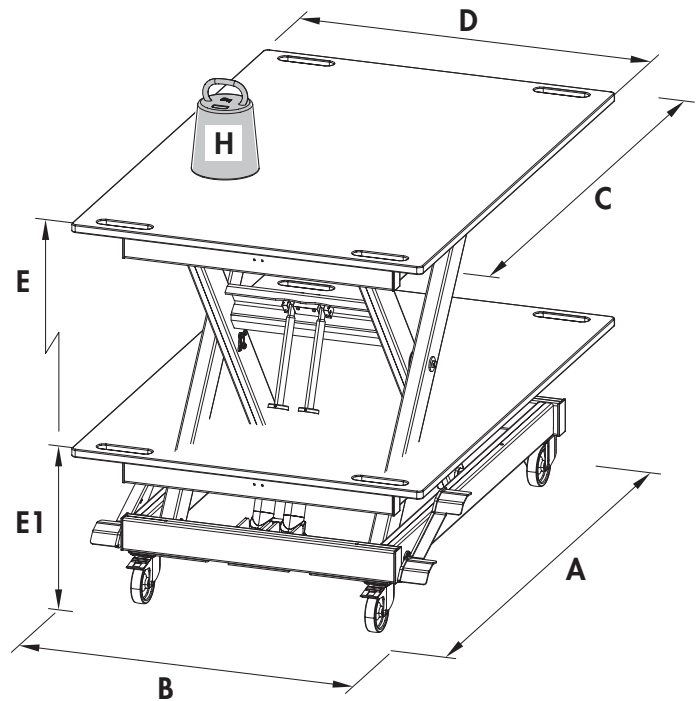


Fig. 3-2: Dimensions FAT 300S / FAT 500S

Machine	FAT 300	FAT 300S	FAT 500S
Base dimensions A x B (max.)	1290 x 800	1520 x 930	1520 x 1055
Worktop surface C x D	1200 x 739	1650 x 940 / 2070 x 1170	
Total height E (Position: upper)	approx. 1020	approx. 1040	approx. 1075
Total height E1 (Position: down)	approx. 425	approx. 445	approx. 470
Load capacity H (max.)	300 kg	300 kg	500 kg
Net weight *)	approx. 75 kg	approx. 125 kg	approx. 170 kg
Weight - Worktop surface	15 kg	38 kg	60 kg
Operating/room temperature	+10° to +40°C	+10° to +40°C	+10° to +40°C
Machine including packaging	FAT 300	FAT 300S	FAT 500S
Length x Width x Height	1200x800x400	1680x1160x575	1680x1160x605
Transport width min.	640	830	920
Weight (approx.)*)	98 kg	175 kg	220 kg
Storage temperature	-10° to +50 °C	-10° to +50 °C	-10° to +50 °C

Note: Dimensions in mm. The indicated dimensions are average values and are valid for machines with standard equipment.

*) without worktop surface

Transport, packaging and storage

4 Transport, packaging and storage

4.1 Safety instructions

 **Attention! Risk of material damage!**
The machine can be damaged or destroyed if it is subjected to improper handling during transport.

 **Warning! Risk of injury!**
There is a risk of injury as a result of falling parts while transporting, loading or unloading the machine.

For this reason the following safety instructions must be observed:

- Never lift loads over a person.
- Always move the machine with the utmost care and caution.
- Only use suitable lifting accessories and hoisting devices that have a sufficient load-carrying capacity.
- The machine should never be lifted by its protruding parts (e.g. working table).
- Consider the machine's centre of gravity when transporting it (minimise the risk of it tipping over).
- Take measures to prevent the machine from slipping sideways.
- Ropes, belts or other hoisting devices must be equipped with safety hooks.
- Do not use torn or worn ropes.
- Do not use knotted ropes or belts.
- Ensure that ropes and belts do not lie against sharp edges.
- Transport the machine as carefully as possible in order to prevent damage.
- Avoid subjecting the machine to shocks.
When transporting the machine overseas, ensure that the packaging is airtight and that a desiccant is added to protect the metal parts against corrosion.


4.2 Transport inspection

Upon arrival, inspect the shipment to ensure that it is complete and has not suffered any damage. If any transport damage is visible, do not accept the delivery or only accept it with reservation. Record the scope of the damage on the transport documents/delivery note. Initiate the complaint process.

For all defects that are not discovered upon delivery, be sure to report them as soon as they are recognised as damage claims must be filed within a certain period, as granted by law.

4.3 Packaging

If no agreement has been made with the supplier to take back the packaging materials, help to protect the environment by reusing the materials or separating them according to type and size for recycling.

 **Attention! Dispose of the packaging materials in an environmentally friendly way and always in accordance with local waste disposal regulations. If applicable, contract a recycling firm to dispose of the packaging materials.**

 **Note: Help preserve the environment!**
Packaging materials are valuable raw materials and in many cases they can be used again or expediently reprocessed or recycled.

Transport, packaging and storage

4.4 Storage

Keep items sealed in their packaging until they are assembled/installed and be sure to observe the stacking and storage symbols on the outside of the packaging.

Store packed items only under the following conditions

- Do not store outdoors.
- Store in a dry and dust-free environment.
- Do not expose to aggressive substances.
- Protect from direct sunlight.
- Avoid subjecting the machine to shocks.
- Storage temperature: -10° to +50° C.
- Maximum humidity: 60 %.
- Avoid extreme temperature fluctuations (condensation build-up).
- Apply a coat of oil to all bare machine parts (corrosion protection).
- When storing for longer than 3 months, apply a coat of oil to all bare machine parts (corrosion protection). Regularly check the general condition of all parts and the packaging. If necessary, refresh or re-apply the coat of anti-corrosive agent.
- If the machine is to be stored in a damp environment, it must be sealed in air-tight packaging and protected against corrosion (desiccant).

4.5 Transport

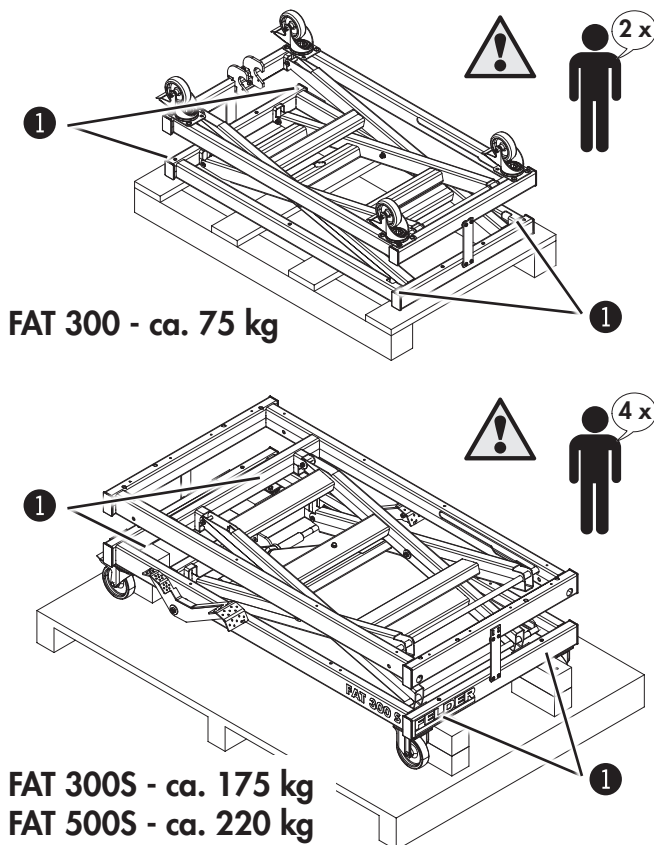


Note:

The transportation width is well under 1000 mm. This makes it possible to transport the machine through doorways.

Individual installation instructions are found with the machine or the worktop surface.

Depending on the equipment, two or three additional helpers may be necessary when unloading.



FAT 300:

The machine is partly assembled when delivered on the pallet
To facilitate assembly, ensure the presence of a minimum of one additional people.

FAT 300S / FAT 500S:

The machine is completely assembled when delivered on the pallet.

Attention! Heavy dead weights can easily cause an injury!

Depending on the equipment, two or three additional helpers may be necessary when unloading.

The machine is shipped mounted on a pallet. (4 x Securing bolt)

The machine can be transported/unloaded with a fork carriage or a forklift truck or with a crane and hoisting loop.

① Securing bolt

Fig. 4-1: Transport locking device

Setup and installation

5 Setup and installation

5.1 Safety instructions

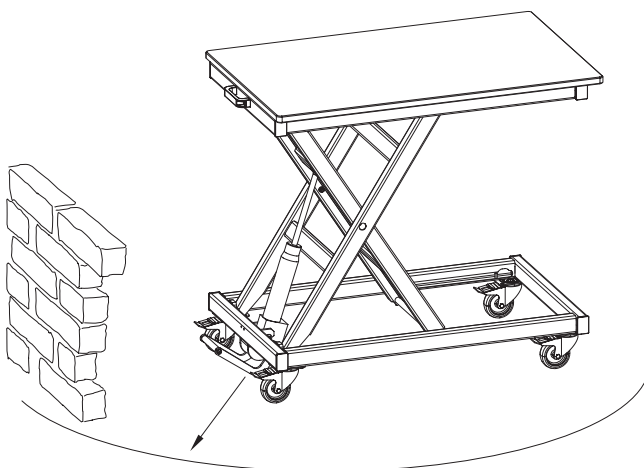
Warning! Risk of injury! Improper assembly and installation can lead to serious physical injury or equipment damage. For this reason, this work may only be carried out by authorised, trained personnel who are familiar with how to operate the machine and in strict observance of all safety instructions.

- Before assembling and installing the machine, check to make sure it is complete and in good condition.
- Keep the work area orderly and clean. Components and tools that are not put in their correct place or put away may be the cause of accidents!
- Ensure that there is sufficient space to work around the machine.

Warning! Risk of injury! An incomplete, faulty or damaged machine can lead to serious physical injury or equipment damage. Only assemble and install the machine if the machine and its parts are complete and intact.

5.2 Floor space requirement

i Note:
Individual installation instructions are found with the machine or the worktop surface.



Installation site requirements:

- Operation/room temperature: +10° to +40° C
- Ensure that the work surface is sufficiently stable and has the proper load-bearing capacity
- Provide sufficient light at the workstation
- Ensure there is sufficient clearance for or from neighbouring workstations

To operate and maintain the machine, leave a min. of 500 mm space all around the machine.

Fig. 5-1: Space requirements/Measurements

Operation

6 Operation

- !** Attention! Risk of material damage! Danger of tipping
Only process work pieces that can be securely positioned.
Load capacity (max.) FAT 300 & FAT 300S - 300 kg / FAT 500S - 500 kg

6.1 Authorised and prohibited work techniques

Authorised working techniques:

- Can be used as: Machinery equipment vehicle, storage assistance, stacking cart or additional workspace

The following working techniques are prohibited on this machine:

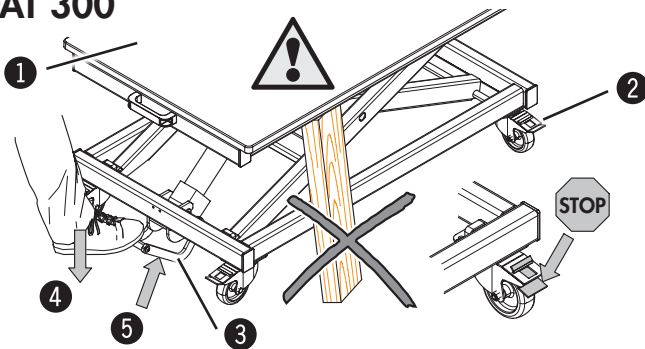
- It is strictly forbidden to climb onto the machine - danger of falling.

6.2 Adjust the working height

- !** Attention! Risk of material damage!
When setting the working height (particularly when lowering), be sure that no workpieces or other objects have been placed beneath the table (wedging threat).

Note: Avoid jerky movements.
Operate the lever on the machine frame --> up to stop !

FAT 300

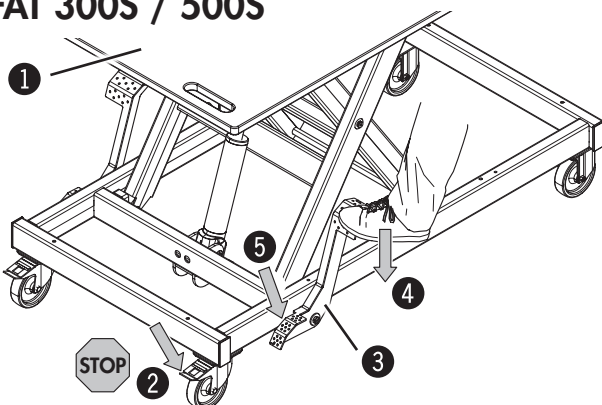


Adjust the working height (infinitely variable)

- FAT 300: 425 - 1020 mm
- FAT 300S: 445 - 1040 mm
- FAT 500S: 470 - 1075 mm

1. Wheel lock: press in and lock
2. **Work bench - place to the top** ④
Foot pedal: Push to the bottom
3. **Lower the work bench** ⑤
Operate the lever on the machine frame.
 - up to stop
 - press and hold

FAT 300S / 500S



- FAT 300
Push slowly to the top
- FAT 300S / FAT 500S
Push to the bottom

- ① Work bench
- ② solid rubber rollers with locks
- ③ Foot pedal

Fig. 6-1: Adjust the working height

Operation / Service

6.3 Panel tilting device for FELDER working tables

! Attention! Risk of material damage! Danger of tipping - Load capacity (max.) 100 kg
Installation and commissioning: See individual assembly instructions

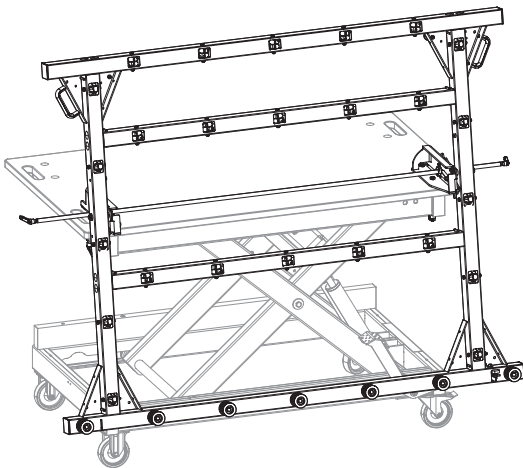


Fig. 6-2: Panel tilting device

The FAT 300 S and 500 S models can be equipped with an optional panel tilting device for the simple handling of large dimensioned panels.

- Simple loading and unloading due to the multi directional rollers
- Comfortable tilting of large dimensioned panels with a thickness of up to 40 mm
- Handling of large dimensioned panels in single person Operation
- Tiltable from 0°–80° (lockable)
- Frame size 1930 x 1500 mm
- Crossbars (Option)

7 Service / Cleaning the machine

i Note:
Generally there is no lubrication necessary, because the ball bearings are free of maintenance.
The guiding systems are completely maintenance free and do not require the addition of lubricants.

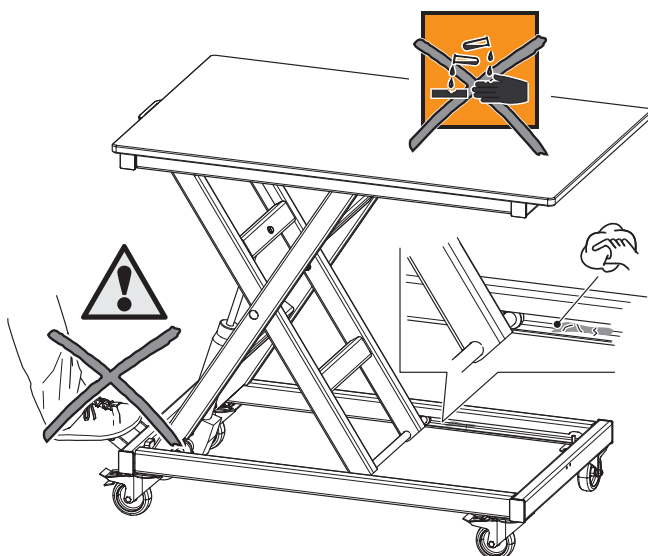


Fig. 7-1: Remove dust and shavings

We recommend that dust and chips are cleaned off the machine if required, especially from the table surfaces.

Using the "glue Solvent & press cleaner", it is easy to remove all glue residues from tools and machine parts

Never use caustic or abrasive detergents.

Cleaning and care products are available as accessories (Felder catalogue).

! Attention! Risk of material damage!
The lift cylinder is free of maintenance and must not be taken apart by the user.

Annex

8 Annex - Declaration of Conformity



EG-Declaration of Conformity
According to Machine Guidelines 2006/42/EG

We hereby declare that the machine indicated below, which corresponds to the design and construction of the model we placed on the market, conforms with the health and safety requirements as stated by the EC.

Manufacturer:	Felder KG KR-FELDER-STR.1 A-6060 Hall in Tirol
Product designation:	Height adjustable FELDER working table
Make:	FELDER
Model designation:	FAT 300 / FAT 300S / FAT 500S
The following EC guidelines were applied:	2006/42/EG

This EC Declaration of Conformity is valid only if the CE label has been affixed to the machine.

Modifying or altering the machine without the express written agreement of the manufacturer shall render the warranty null and void.

The signatory of this statement is the appointed agent for the compilation of the technical information.

A handwritten signature in black ink that reads 'Johann Felder'.

Johann Felder, Managing Director FELDER KG
KR-FELDER-STR.1 • A-6060 Hall in Tirol

Hall in Tirol, 1.6.2017



© **Felder KG**

KR-FELDER-STR. 1

A-6060 Hall in Tirol

Tel.: +43 (0) 5223 / 58 50 0

Fax: +43 (0) 5223 / 56 13 0

Email: info@felder-group.com

Internet: www.felder-group.com